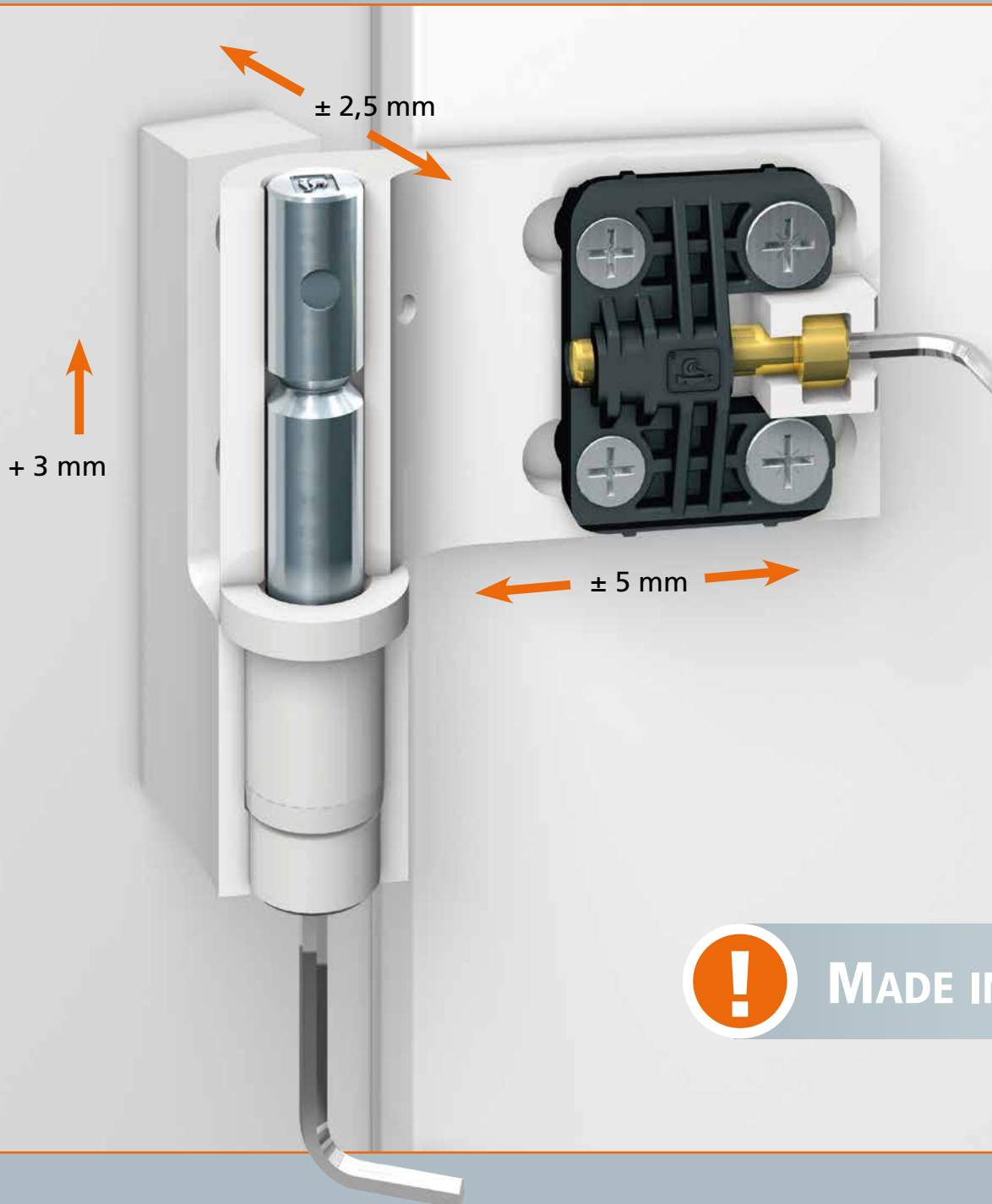




Hahn KT-G

Universal hinge for PVC doors



MADE IN GERMANY

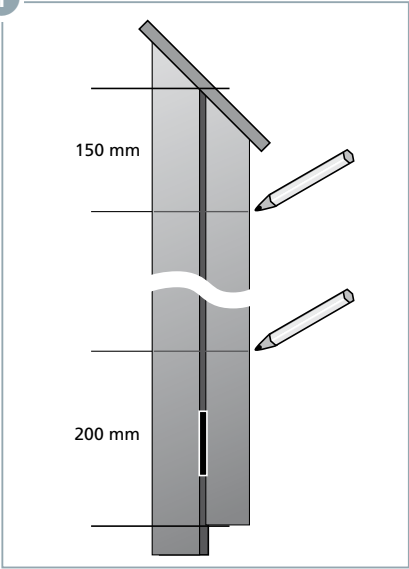


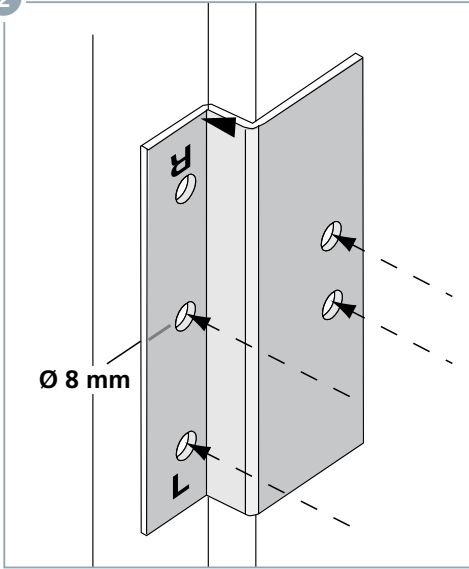


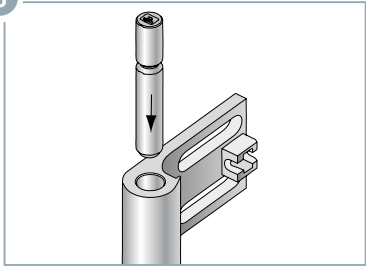
Hahn KT-G

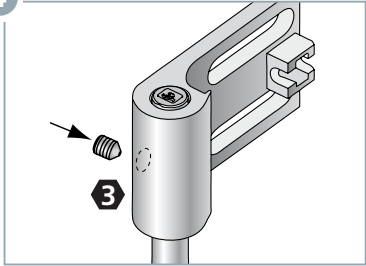
Universal hinge for PVC doors

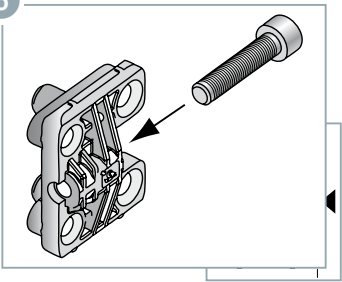
Installation instructions

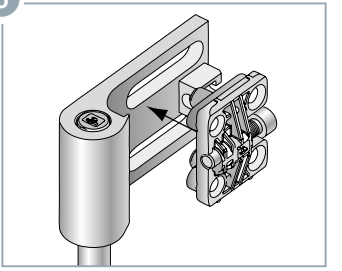
1 

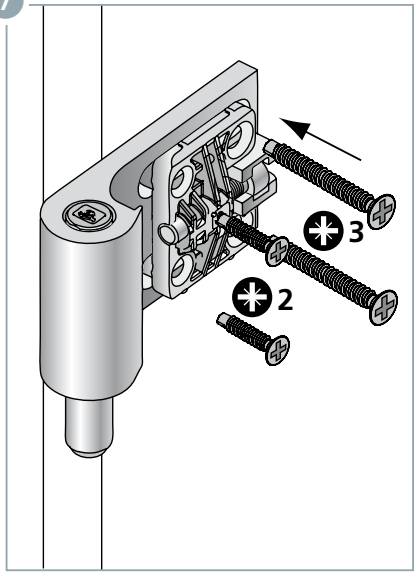
2 

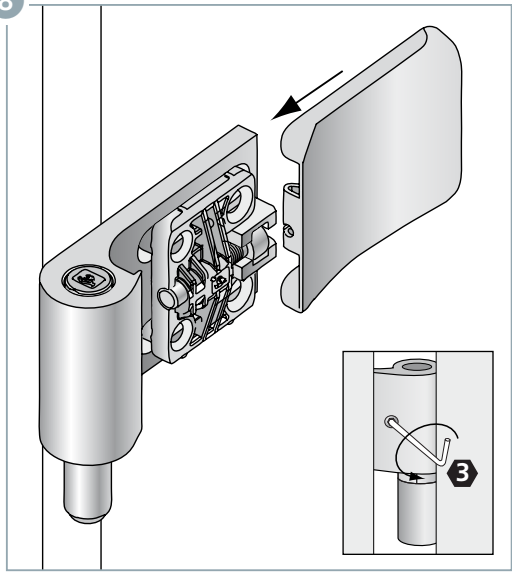
3 

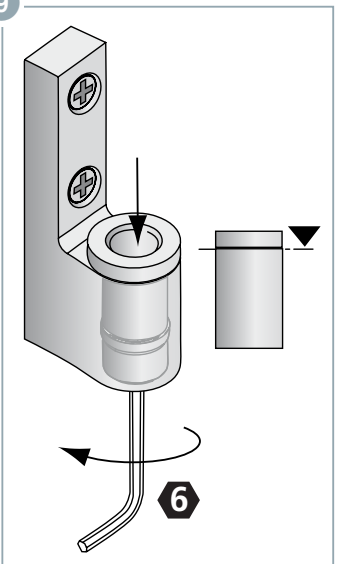
4 

5 

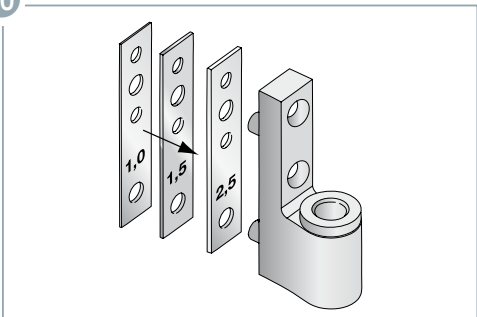
6 

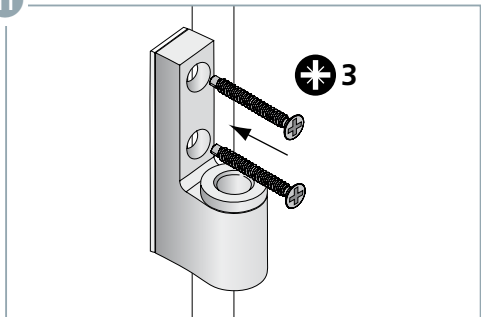
7 

8 

9 

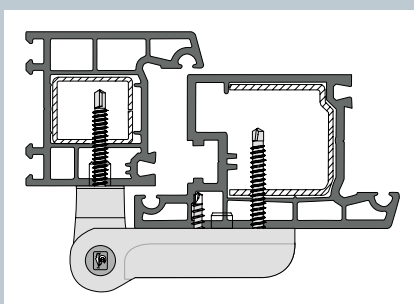
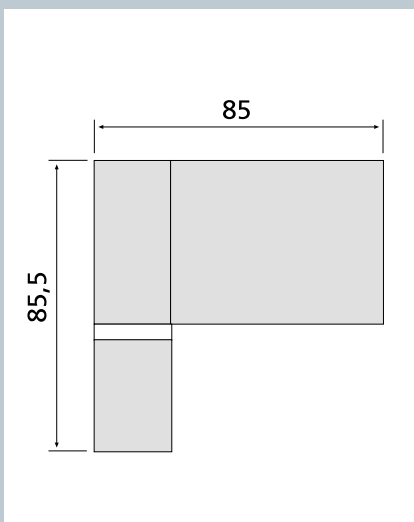
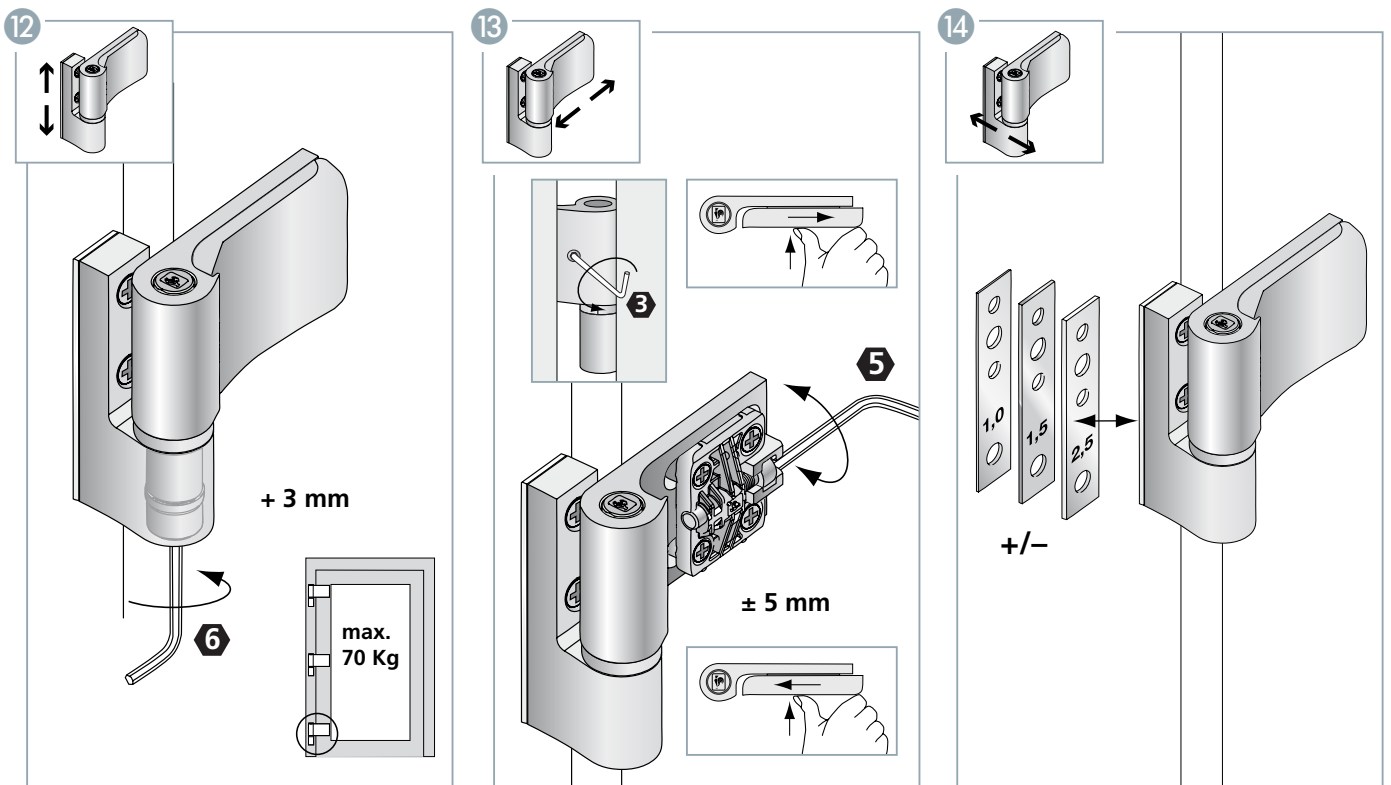
| | 15 mm | 16 mm | 16,5 mm | 17,5 mm | 18,5 mm | 19 mm | 20 mm |
|--|-------|-------|---------|---------|---------|---------|-------------|
| | | | | | | | |
| | | 1,0 | 1,5 | 2,5 | 1,0+2,5 | 1,5+2,5 | 1,0+1,5+2,5 |

10 

11 

Adjustment instructions

Adjustment and regulation only to be done by an experienced tradesman



MADE IN GERMANY



Dr. Hahn develops, produces and sells hinges which are installed in doors made of PVC, steel, or aluminium. Patents for hundreds of related inventions made in Germany have been registered in the past 40 years. In the meantime, Hahn hinges move doors in places all over the world. Almost 370 employees ensure that Dr. Hahn is the most important supplier in its special field in many countries.

But maintaining this position in the long term is only possible due to the high qualification of our workforce and the excellence of the product. Aside from in-house quality control of every individual element, long-term load and function tests are conducted by accredited institutes. Thus one can talk about the unreserved high quality of Dr. Hahn hinges. The three pillars of Dr. Hahn management – **design, technology and service** provide the foundation for the superb reputation of the brand worldwide.

